

11A-598N190 HW-615 (1998)
Engine And Deck Assembly

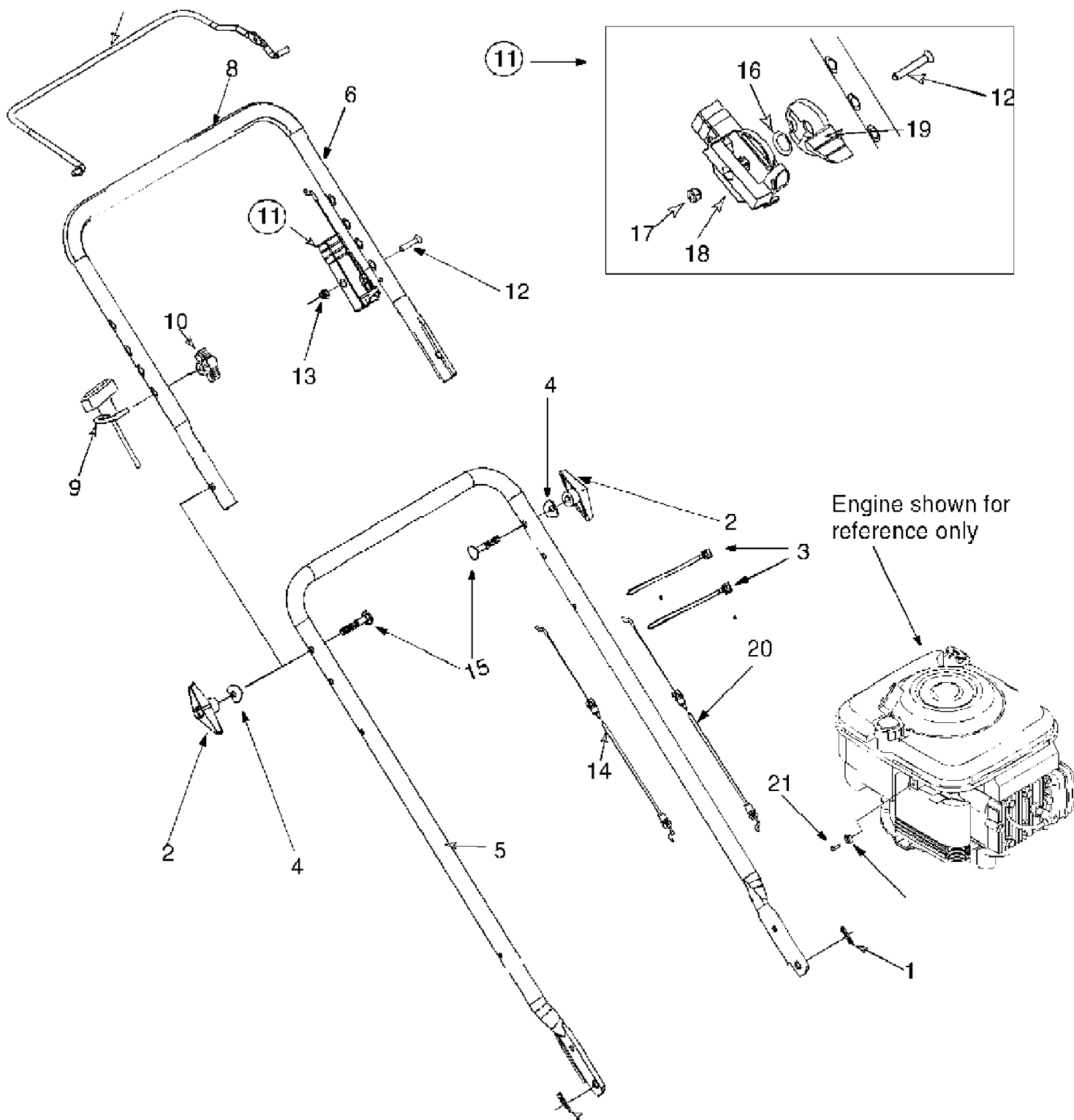
Page 2 of 5

Ref #	Part Number	Qty	S/P/F	Description
1		1		Engine
	751B281451	1	/P	Engine Shroud
2	734-1857	1	/P	Wheel, Front Caster 7 X 2
3	736-0105	1	/P	Bell Washer .401 X .870 X .063
4	736-0182	1	/P	Spring Washer .50 I.D. x 1.0 O.D. x .022
5	736-0272	1	S	Flat Washer .510 x 1.0 x .060
6	738-0481	1	S	Shoulder Screw .500 x 2.62: 3/8 -16
7	748-0377B	1	S	Blade Adapter
8	736-0524A	1	S	Blade Bell Support
9	710-1257	1	/P	Hex Bolt 3/8 - 24 x 2.5 Gr. 8
10	742-0741	1	S	Blade 21", Mulching
11	647-0028	1		Hi-Wheel Height Adj. Support
12	710-1348	1	/P	AB Screw 1/4-14 x .50
13	712-3017	1	S	Hex Nut 3/8 -16
14	732-0845	1	S	Torsion Spring
15	732-0843	1		Torsion Spring, RH
16	732-0844	1		Torsion Spring, LH
17	736-0105	1	/P	Bell Washer .401 x .870 x .063
18	738-0145	1	S	Shoulder Screw .500 x .840
19	747-0971	1		Handle, Height Adjustment
20	750-1090	1		Spacer .500 x 1.0 x .600
21	782-0572	1	S	Height Adj. Bracket, RH
22	682-3054	1		Handle Bracket Ass'y, RH
23	682-3055	1		Handle Bracket Ass'y, LH
24	710-1348	1	/P	AB Screw 1/4-14
25	725-0157	1	/P	Cable Tie
26	731-1901	1	S	Trail Shield
27	732-0842	1		Trail Shield Wire
29	710-0134	1	/P	Carriage Screw
30	710-0654A	1	/P	TT Screw 3/8 -16 x 1.00
31	710-0703	1	/P	Carriage Screw 1/4-20 x .75
32	712-0397	1	S	Wing Nut
33	726-0233	1	/P	Push Nut
34	736-0204	1	/P	Flat Washer
35	782-0049-0662	1		Deck 21"
36	682-9020A	1	/P	Caster Assembly, RH Code: N Notates a new part (not previously existing)
37	682-9021A	1	/P	Caster Assembly, LH Code: N Notates a new part (not previously existing)
38	682-9024	1		Caster Bracket Assembly
39	710-0260	1	S	Carriage Bolt 5/16-18 x .62
40	711-1146	1	S	Caster Axle .374 x 2.59
41	712-0397	1	S	Wing Nut
42	712-3004A	1	/P	Flange Nut 5/16-18 Gr.5
43	714-0104	1	S	Hairpin Clip
44	726-0214	1	/P	Push Cap
45	732-0306	1	S	Compression Spring
46	736-0232	1	S	Wave Washer .530 I.D. x .780 O.D.
47		1		UNKNOWN
48	736-0264	1	S	Flat Washer .330 I.D. x .630 x .06
49	736-0931	1	/P	Fl.Wash. .203 I.D. x .403 x .040
50	737-3000	1	S	Lube Fitting

11A-598N190 HW-615 (1998)
Engine And Deck Assembly

Page 3 of 5

Ref #	Part Number	Qty	S/P/F	Description
51	741-0685	1		Flange Bearing
52	747-0924	1		Lock Pin, Front Wheel
53	731-1832	1		Discharge Chute
54	731-1833	1	S	Mulching Cover
55	731-1887	1		Hubcap
56	710-0653	1	/P	Hex Screw, TT 1/4-20 x .375
57	710-1220	1	/P	HL Screw
58	731-1828	1		Rear Baffle
59	734-1861	1	/P	Hi-Wheel 14 X 2



11A-598N190 HW-615 (1998)
Handle And Throttle Assembly

Page 5 of 5

Ref #	Part Number	Qty	S/P/F	Description
1	714-0104	1	S	Hairpin Clip
2	720-0241	1	S	Wing Nut
3	726-0240	1	S	Cable Tie
4	736-0451	1	S	Saddle Washer
5	749-0907A	1	S	Lower Handle Code: N Notates a new part (not previously existing)
6	749-0438B	1	S	Upper Handle
?7	647-0004	1		Control Handle
8	720-0295	1	/P	Foam Grip
9	710-1205	1	/P	Rope Guide
10	720-0279	1	/P	Handle Knob
11	811-00303	1	S	Throttle Control Assembly
12	710-0605	1	/P	Oval C-Sunk Scr.
13	712-0324	1	/P	Hex L-Nut 1/4-20 Thd.
14	746-0550	1	S	Control Cable
15	710-1174	1	/P	Carriage Bolt
16	736-0501	1	S	Spring Washer Code: N Notates a new part (not previously existing)
17	712-0324	1	/P	Hex Lock Nut 1/4-20 Code: N Notates a new part (not previously existing)
18	646-0875	1	S	Throttle Housing Code: N Notates a new part (not previously existing)
19	746-0876	1	S	Throttle Lever Code: N Notates a new part (not previously existing)
20	746-0843	1	S	Throttle Cable Code: N Notates a new part (not previously existing)
21	710-1237	1		Hex Screw Code: N Notates a new part (not previously existing)
?22	751B213146	1	/P	Cable Clamp